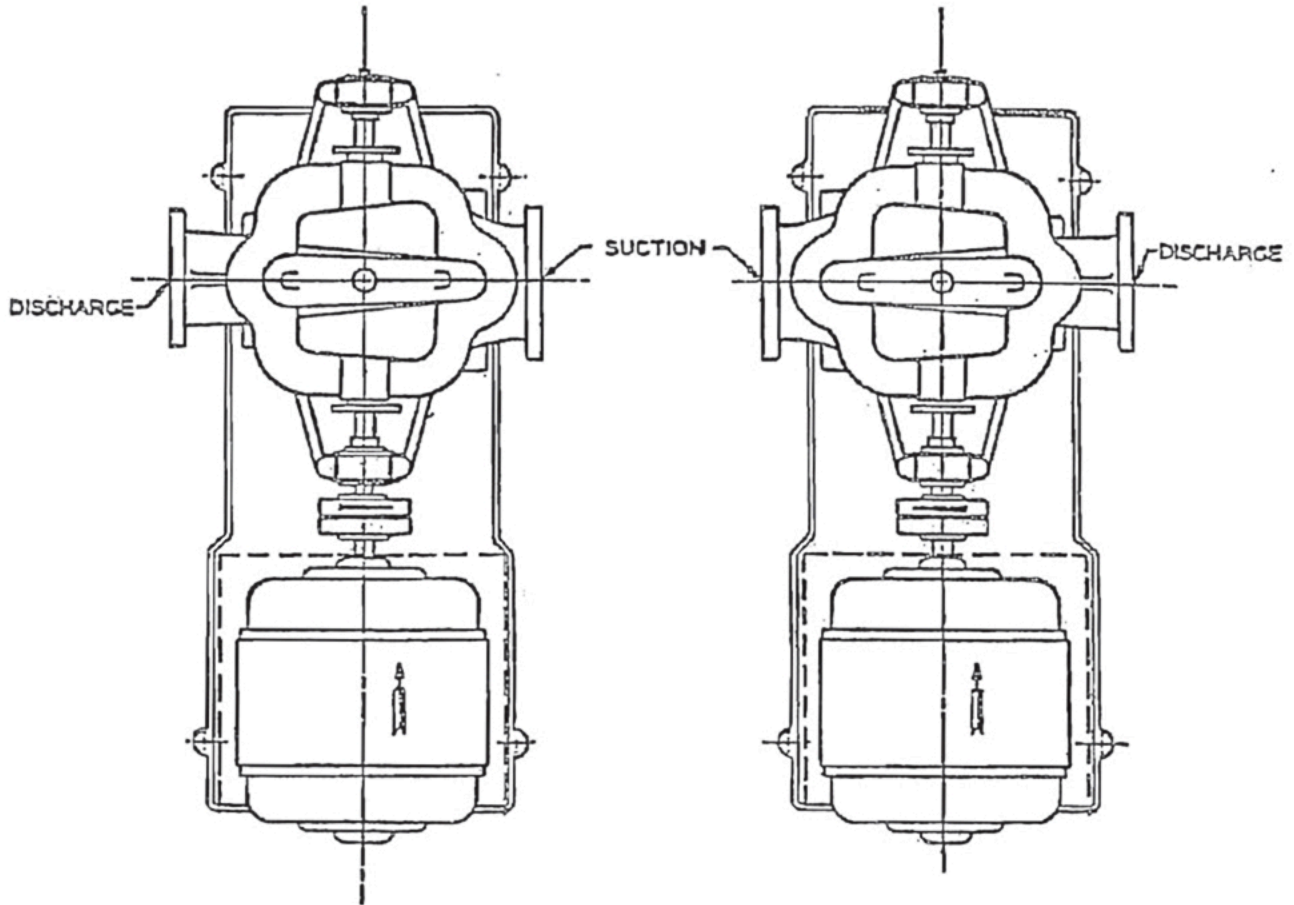


Direction of Rotation for Horizontal Pumps

Rotation is determined by viewing from the driver end in direction of the arrow.
The direction of rotation fixes the position of the suction and discharge.



Right Hand or
Clockwise Rotation

Left Hand or
Counter-Clockwise Rotation

Please indicate desired rotation – NOTE: *Diesel available in Right Hand Only* - and complete the bottom portion of this form and return via fax or email.